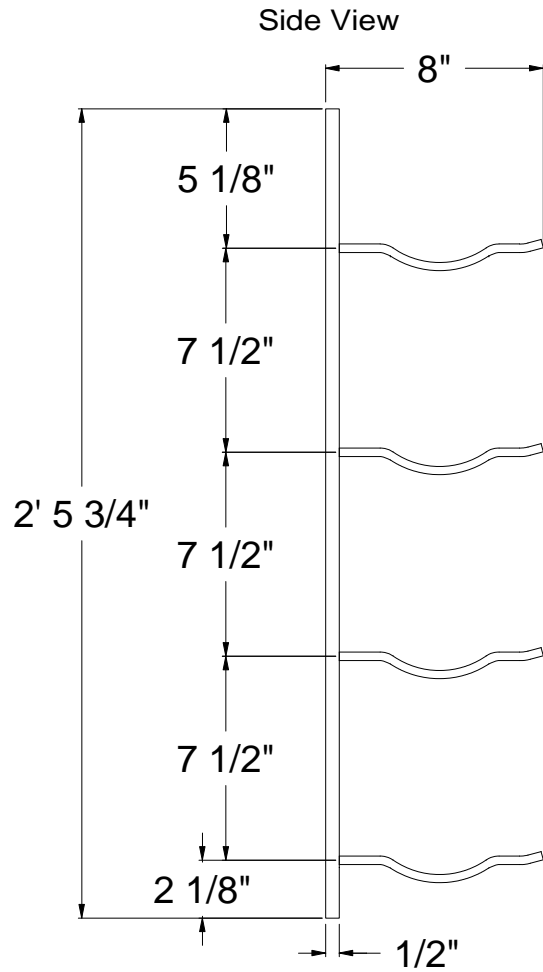
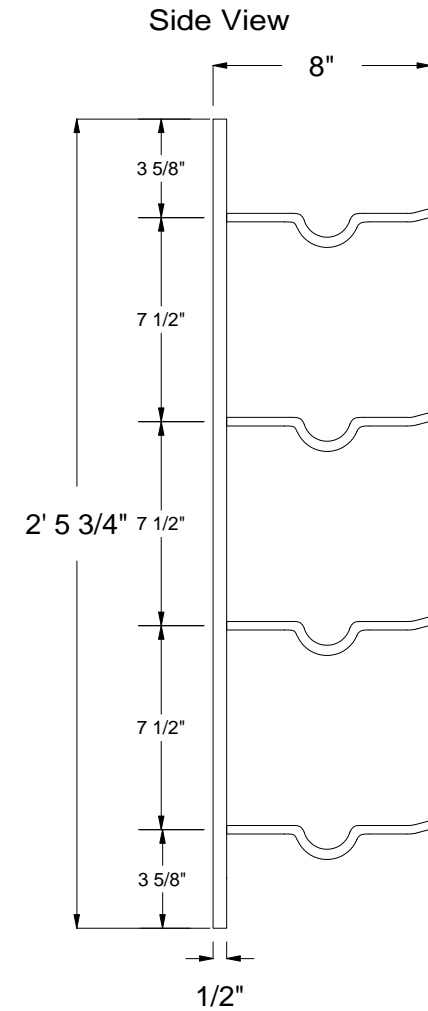


# WS-BIG1



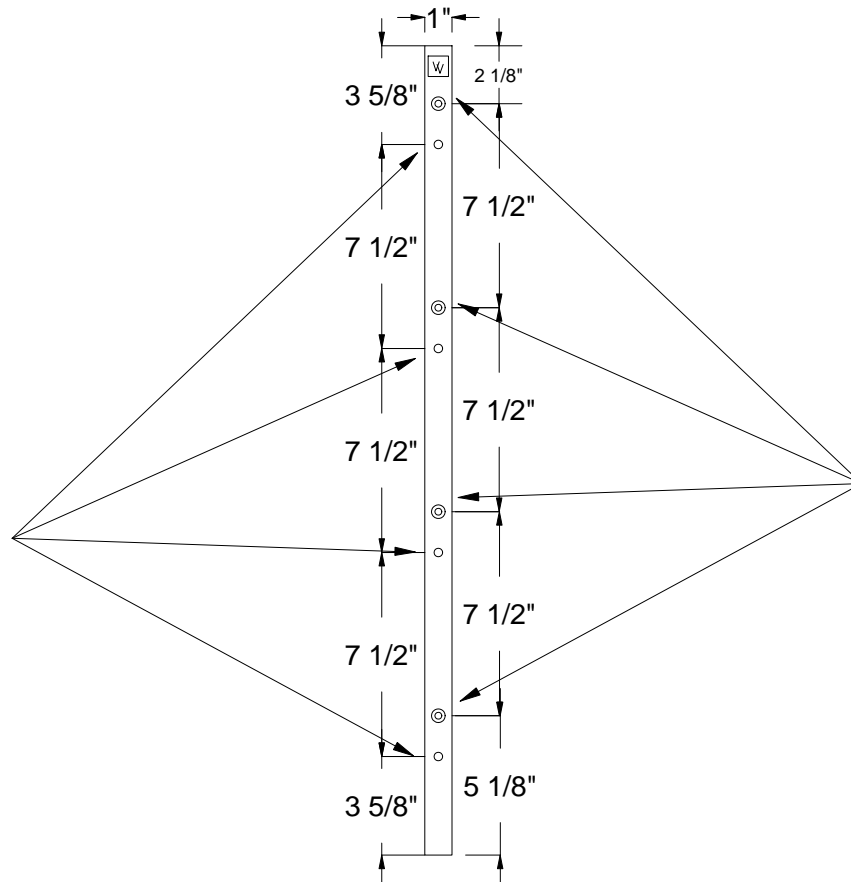
Each WS-BIG1 is to be boxed as a set with 1 neck and 1 base in poly bags with installation instructions, 8 mounting hole caps 2 couplers, end plugs installed in the 1" X 1/2" tube and rod tips glued on each rod. Master cartons contain 5 racks each.



# WS-BIG1

Front View  
Neck Side

5/16" (or 8mm) hole centered through both 1" faces of backstrip to accept rods.

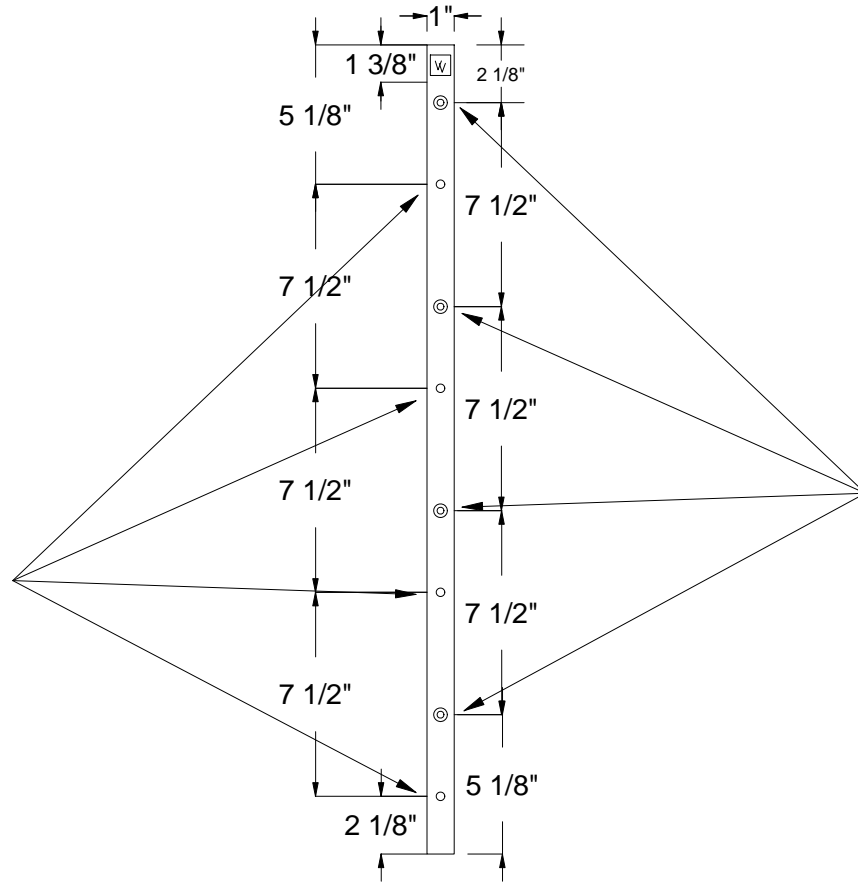


1/4" Hole through both faces of the 1" X 1/2" tube with 1/2" hole through 1 side only.

# WS-BIG1

Front View

Base Side



5/16" (or 8mm) hole centered through both 1" faces of backstrip to accept rods.

1/4" Hole through both faces of the 1" X 1/2" tube with 1/2" hole through 1 side only.